

Permissible for use with the following Models: U1/UT/ ST/GT/JSC/SPR/JM/ALT/CF

READ INSTRUCTIONS CAREFULLY BEFORE STARTING THE PROJECT. REMEMBER THAT SAFETY COMES FIRST. OUR CHIMNEY SYSTEMS ARE DESIGNED FOR INSTALLATION BY A QUALIFIED PERSON IN ACCORDANCE WITH LOCAL BUILDING CODES.

Selkirk Chimney parts are Listed and produced under the Factory Inspection and Follow-up program of Underwriters Laboratories, Inc. and carry the LISTING MARK illustrated here.

Tested to: UL 103 HT, ULC-S604,  
ULC-S610, ULC-S629



**CAUTION: WEAR CUT RESISTANT GLOVES WHILE HANDLING METAL PARTS TO AVOID PERSONAL INJURY. SHARP EDGES OR PROJECTIONS CAN CUT YOU.**

Read the following instructions in their entirety before assembling and installing. Refer to the main Chimney System Installation Instructions for further information on installation of Selkirk chimney.

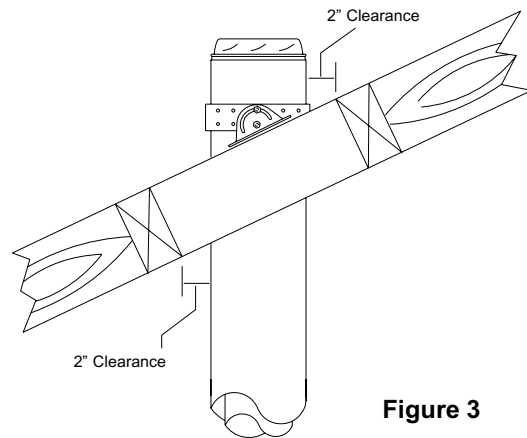
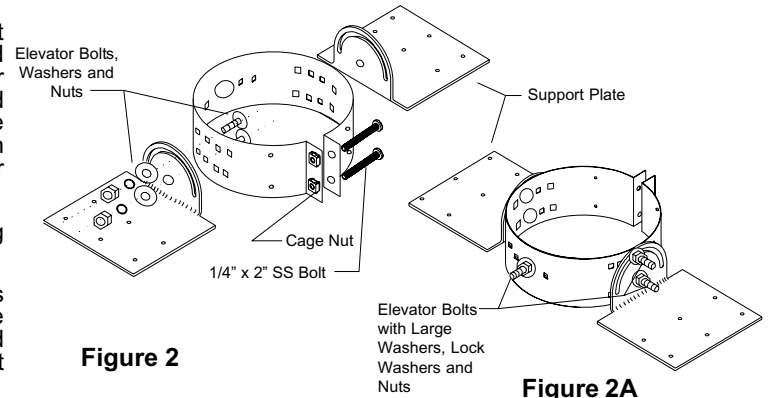
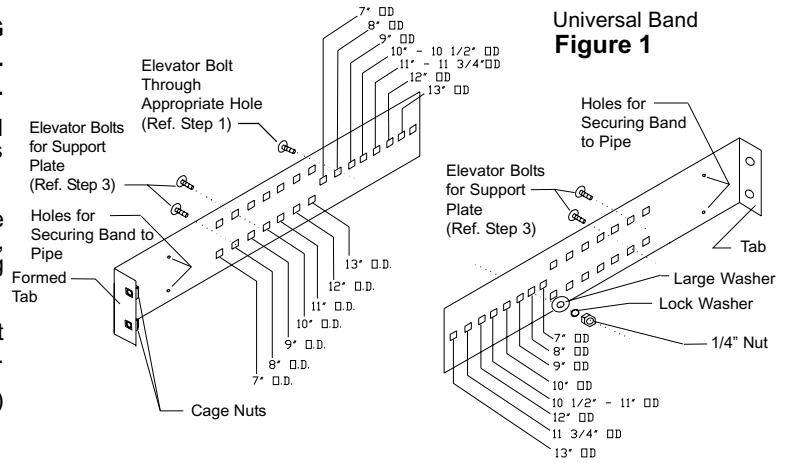
The Universal Roof Support Assembly (URSA) is designed to provide support above the roof and adjusts to any roof pitch. Where permitted, it will provide support above the roof of an open cathedral ceiling installations.

The Universal Roof Support Assembly (URSA) accommodates most models of chimneys with outer diameters ranging from 7" through 13".

The URSA will support up to 30' (9.0m) of chimney of which 20' (6.9m) may be suspended beneath it.

### To Install:

- Place the two halves of the URSA Band as shown in Fig.1. Insert elevator bolt through the hole in the single row of holes identified with the outside diameter of the chimney being installed, (Ex. - for an 8" OD chimney, place the elevator bolt through the holes identified for 8" OD). The flat head of the bolt should be oriented opposite the direction the formed tabs are pointed. Secure the center bolt with washers and nut (see Figure 1). NOTE: On smaller diameter chimneys the excess band material can be cut off.
- Form the Band into a circle and loosely connect both tabs using the supplied 2" bolts into the 2 cage nuts (see Figure 2).
- Attach the Support Plates to the band with elevator bolts, washers and nuts (2 sets per plate). The bolts should pass through the holes in the band corresponding to the pipe outside diameter and be secured loosely (see Figure 1). NOTE: 2 sets per Support Plate.
- Place assembly around the length of pipe and loosely tighten the tabs with the bolts and nuts referenced in Step 2. Move the assembly to the desired height location on the pipe. Firmly tighten bolts and nuts to secure the band around the pipe.
- Secure URSA to the length of pipe by using four (4) 1/8" x 1/2" stainless steel self-tapping screws (provided) through the 2 securing holes on each side of the tab (see Figure 1).
- The URSA is mounted directly on the roof sheathing with its Support Plate resting over rafters or a framed opening to form a solid base. Frame a rectangular roof opening to ensure a good distribution of weight load. Be sure to allow for a minimum of 2" airspace clearance to combustibles as shown in Figure 3. Reference the main chimney installation instructions for frame specifications and other details.
- Center the assembly in the opening. Adjust Plates to the pitch of the roof and tighten the nuts (see Figures 2A & 3).
- Install six wood screws (#10 x 2-1/2") per plate with the innermost going into rafters or headers.
- Add additional lengths of pipe as necessary, above and/or below.
- Complete installation of the Flashing, Storm Collar and Round Top as per main installation instructions.



### Parts List:

- |                             |                                   |
|-----------------------------|-----------------------------------|
| 1 - Support Band (2 halves) | 5 - Lock Washers                  |
| 2 - Support Plates          | 5 - 1/4" Nuts                     |
| 5 - Elevator Bolts          | 2 - 2"x1/4" Stainless Steel Bolts |
| 5 - Large Washers           |                                   |