

Selkirk Chimney Systems (US Only - See separate instructions for Canada)

SHEET P

Chimney & Accessories Guide to --- General Installation Instructions & Owner's Maintenance Guide

Selkirk Chimney Systems Must Be Installed with Minimum 2 Inch Air Space Clearance to Combustible Materials, Wires and Building Insulation.

Selkirk Chimney System has been tested and listed to UL 103 "Factory-Built Chimneys for Residential Type and Building Heating Appliances" Standard.

IMPORTANT:

The parts, Kits, Assemblies and Packages shown here are essential for a correct and safe installation. They must be installed strictly in accordance with their applicable instructions. With some of these groups, two or more different Instruction Sheets may be necessary. The General Installation Instructions and Owner's Maintenance Guide is designated "Sheet GS" and is packaged with the Support Assembly. For your protection, **read and study these carefully before beginning an installation.**

If you are installing these products and do not find the sheets referenced here in the cartons, **STOP(!)** and obtain them from your dealer, distributor or Selkirk (www.selkirkcorp.com) before proceeding.

The Installation Instruction reference sheets are indicated below the part illustration and must be followed to ensure safe installation.

CAUTION: SELKIRK CHIMNEY SYSTEMS MUST BE PROPERLY SUPPORTED. DO NOT USE PIPE BY ITSELF OR ATTEMPT TO FABRICATE YOUR OWN SUPPORT OR ACCESSORIES.

SEE INSTALLATION INSTRUCTIONS TO DETERMINE NECESSARY ACCESSORIES.

Part Numbers must be prefixed with the correct size ... 8T-WSK for example .. to get an 8" Wall Support Kit.

SEE SELECTOR CHARTS ON REVERSE SIDE.

NOTE:

Selkirk Chimney catalog contains many other components including many universal components.

INSULATED PIPE AND ACCESSORIES

Insulated pipe Length (6", 9", 12", 18", 24", 36", 48")  See Sheet GS	Roof Support Package (RSP)  See Sheet S-4	Roof Brace Kit (Pipe Not Included)  See Sheets GS, S-3	Wall Support Kit (WSK)  See Sheets GS, S-5		
Attic Insulation Shield (AIS)  See Sheets GS, S-2	Interior Resupport (IR)  See Sheet S-5	Insulated Wall Thimble (IWT)  See Sheet S-7	Rubber Boot Flashing Kit  See Rubber Boot Flashing Kit Instructions		
Dripless Smoke Pipe Adapter W/Coupler (DSAC)  See Sheets GS, S-1, S-4	Dripless Smoke Pipe Adapter (DSA)  See Sheets GS, S-1, S-4	Insulated Tee & Tee Plug (IT)  See Sheets GS, S-5	Wall Band (WB)  See Sheet S-5	Cathedral Ceiling Support Box (CCS)  See Sheet S-9	Fire Stop/ Joist Shield (JS)  See Sheet S-7
Finish Support Package (FSP)  See Sheet S-1	Finish Support Package- Round (FSPR)  See Sheet S-1	Round Top (CT)  See Sheet S-3	Insulated 15° Elbow (EL)  See Sheets GS, S-5	Insulated 30° Elbow (EL)  See Sheets GS S-5	Adjustable Storm Flashing (AF) Collar (SC)  See Sheet S-3
Anchor Plate with Damper (APD)  See Anchor Plate with Damper Instructions	Anchor Plate (AP)  See Sheet S-4	Finish Collar (FC)  See Sheet S-7	SUSI Insulation  See SUSI Installation Instructions	Pitched Ceiling Plate (PCP)  See Sheet S-7	Trim Plate (TPS)  See Sheet S-7



WARNING
Failure to follow the installation instructions could cause **FIRE, CARBON MON-OXIDE POISONING, OR DEATH.** If you are unsure of installation requirements, call the Phone Number listed on the instructions or visit www.selkirkcorp.com.



CHIMNEY PIPE LENGTH SELECTOR CHART

(This chart is a general reference guide. Numerous other assembled length combinations are possible)

Assembled Length (in.)	Number of Chimney Sections						
	6"	9"	12"	18"	24"	36"	48"
4.75"	1						
7.75"		1					
10.75"			1				
15.50"	1		1				
22.75"					1		
33.50"				2			
34.75"						1	
46.75"							1
57.50"			1				1
67.00"				4			
77.25"		1				2	
86.25"	1					1	1
98.25"	1						2

Assembled Length (in.)	Number of Chimney Sections						
	6"	9"	12"	18"	24"	36"	48"
110.25"				1			2
116.75"	1	1	1				2
128.25"						1	2
145.00"				1		1	2
163.00"					1		3
187.00"							4
220.50"				2			4
233.75"							5
244.50"			1				5
260.00"				1		7	
273.25"	1					1	5
288.25"		1					6
303.25"						2	5

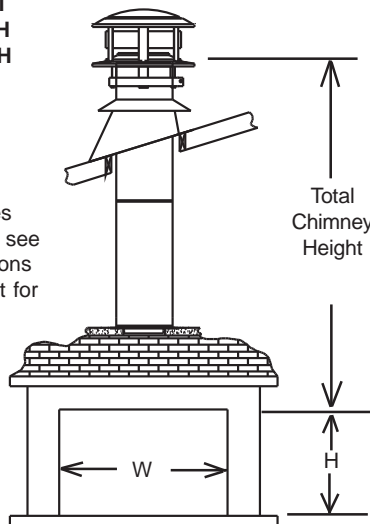
MINIMUM CHIMNEY HEIGHTS FOR ONE OIL BURNING APPLIANCE (6" TO 14" Diameter)

Appliance Rating Input		Thousand BTU/HR or (Gal/Hr)				No. Of Turns (Tees & Elbows)	Total Chimney Height (Feet From Flue Outlet To Chimney Top)						
Selkirk Chimney Size							Required Draft Inches Of Water						
6"	7"	8"	10"	12"	14"		.03	.04	.05	.06	.08	.10	
up to 170 (1.21)	up to 230 (1.65)	up to 300 (2.15)	up to 470 (3.35)	up to 675 (4.8)	up to 825 (6.6)	6,000	0 1 2 3	5.0 6.5 7.5 8.5	6.5 8.0 9.0 10.0	8.0 9.5 10.5 11.5	9.5 11.0 12.0 13.0	13.0 14.5 15.0 16.5 19.5	
195 (1.4)	270 (1.93)	350 (2.5)	550 (3.9)	790 (5.65)	1080 (7.7)	7,000	0 1 2 3	5.0 7.5 8.5 10.0	6.5 9.0 10.5 11.5	8.5 10.5 12.0 13.5	10.0 12.0 13.5 15.0	13.0 15.5 17.0 18.0 21.5	
225 (1.6)	305 (2.18)	400 (2.85)	625 (4.5)	905 (6.45)	1230 (8.8)	8,000	0 1 2 3	5.0 8.0 10.0 12.0	7.0 9.0 11.5 13.5	8.5 11.5 13.5 15.5	10.0 13.0 15.0 17.0	13.5 16.5 18.5 20.5 19.5	
255 (1.8)	345 (2.47)	450 (3.23)	705 (5.05)	1015 (7.25)	1385 (9.9)	9,000	0 1 2 3	5.5 9.0 11.5 14.0	7.0 11.0 13.5 16.0	9.0 12.5 15.0 17.5	10.5 14.0 16.5 19.0	14.0 17.5 20.0 22.5 26.0	
280 (2.0)	385 (2.75)	500 (3.6)	785 (5.6)	1130 (8.1)	1540 (11.0)	10,000	0 1 2 3	5.5 10.0 13.5 16.0	7.5 12.0 15.5 19.5	9.0 14.0 17.0 20.5	11.0 15.5 19.0 22.0	14.5 19.5 22.5 25.5 29.5	
28 8'	38 10'	50 11'	78 14'	113 16.5'	154 19'			Flue Area - Sq. In. Max. Connector Length - Ft. (Doubling the connector length reduces input by 10%)					

NOTE: For gas fired appliances, see sizing tables in Selkirk Gas Vent and Chimney Sizing Handbook

CHIMNEY SIZING CHART FOR FIREPLACES WHICH MAY BE OPERATED WITH OPEN FRONTS.

For heaters and stoves burning wood or coal, see the appliance instructions or use appliance outlet for the chimney.



NOTE: For Canada Check Local Masonry Codes.

