

READ INSTRUCTIONS CAREFULLY BEFORE STARTING THE PROJECT. REMEMBER THAT SAFETY COMES FIRST. OUR CHIMNEY SYSTEMS ARE DESIGNED FOR INSTALLATION BY A QUALIFIED PERSON IN ACCORDANCE WITH LOCAL BUILDING CODES.

CAUTION: WEAR CUT RESISTANT GLOVES WHILE HANDLING METAL PARTS TO AVOID PERSONAL INJURY. SHARP EDGES OR PROJECTIONS CAN CUT YOU.



LISTED

Tested to: UL 103 HT, ULC-S629, ULC-S604 and ULC-S610

The SCSAIS provides a 2" clearance to combustibles and is designed to be used as an Attic Insulation Shield,

ONLY WHEN:

1. The attic space is immediately above the Ceiling Support;
2. The Ceiling Support extends a minimum of 2" above the insulation zone requirement. Not to be less than 10 inches above the attic floor. Check with local codes for zone requirements;
3. The Storm Collar must be utilized.

NOTE: When the minimum height requirement cannot be attained, you must do one of the following:

- 1 - Add the Extension (separate) to the Ceiling Support with Storm Collar;
- 2 - The Ceiling Support and chimney must be enclosed below the roof line. Do not install storm collar when enclosed.

Kit contains:

- 1 - Square Ceiling Support
- 1 - Smoke Pipe Adapter
- 4 - Support Brackets
- 1 - Storm Collar
- 1 - Finishing Trim Plate

NOTE: Support must hang a minimum of 3.5" below the finished ceiling level

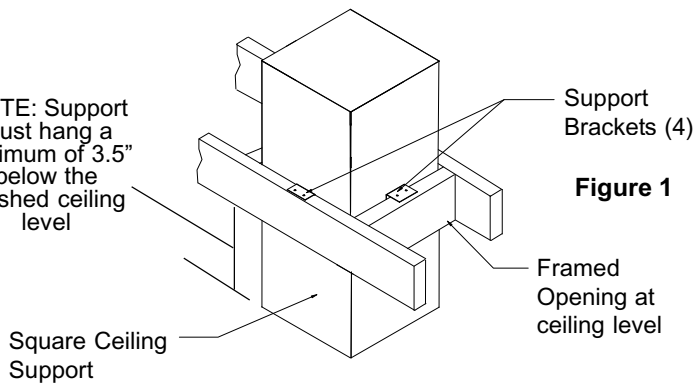


Figure 1

TABLE 1 Framing Dimensions		Support Capacity
Chimney Flue Diameter	Square Ceiling Support w/ Built-in 2" clearance	20 feet (6.1m)
6"	12-3/8" x 12-3/8" 314mm x 314mm	
7"	13-3/8" x 13-3/8" 340mm x 340mm	
8"	14-3/8" x 14-3/8" 365mm x 365mm	

To install the new style SCSAIS:

Frame an opening to the dimensions found in Table 1.

1. The Ceiling Support must be installed so that it hangs a minimum of 3.5" (86 mm) below the finished ceiling level (see Figure 1).

2. Secure each brackets with 2 self-tapping screws through the pre-punched holes and into the wall of the box.

3. From above, lower the box so that the brackets rest on the top of the framed opening. Secure in place with 8 - 3" spiral nails or #8 x 1-1/2" wood screws.

4. Install the Smoke Pipe Adapter on the inlet end of a Chimney Length. Place the first section of chimney into the Ceiling Support with the Smoke Pipe Adapter protruding through the bottom opening (see Figure 2).

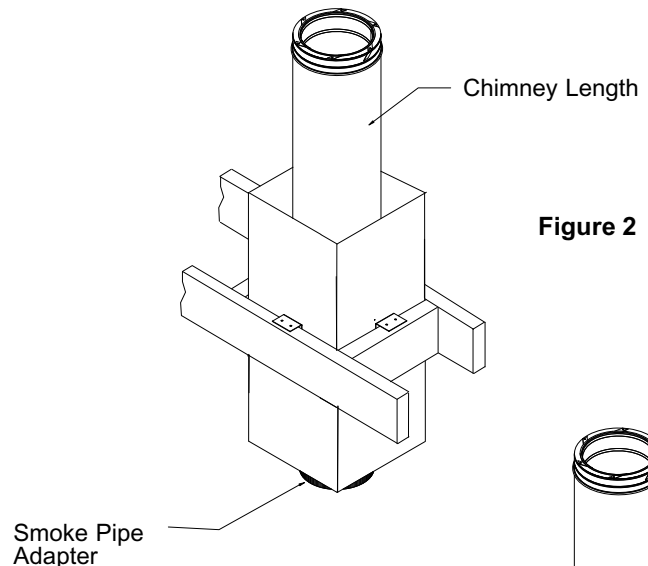


Figure 2

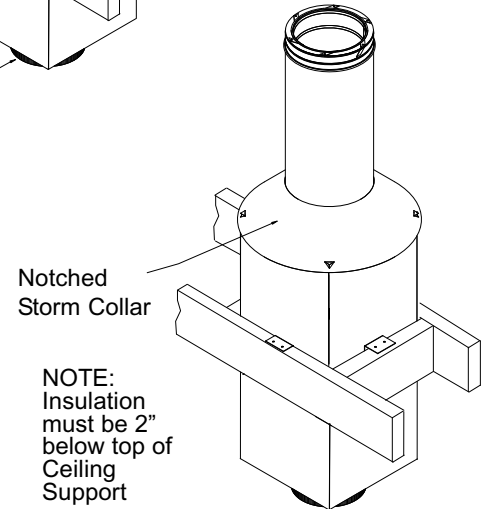


Figure 3

NOTE: Insulation must be 2" below top of Ceiling Support

5. Wrap the notched Storm Collar snug to the chimney. Bend outward the 4 V-shape notches and position over each corners of the Ceiling Support (SCSAIS). See Figure 3. Note: To secure storm collar, engage tabs into slots and bend tabs over.
6. Continue with the installation as per main U1 installation instructions.