

Installation and Maintenance Instructions

Model Saf-T Liner Stainless Steel Chimney Liner



For Installation into an existing Masonry Chimney.

Saf-T Liner is designed for an installation by a qualified person in accordance with local building codes.

4", 5", 6", 7" and 8" diameters - 9", 10", 12" and 14" available upon request.

IMPORTANT: A major cause of vent related fires is failure to maintain required clearances (air spaces) to combustible materials. It is of the utmost importance this Saf-T Liner be installed only in accordance with these instructions.

Do not install this product until you have read and fully understand these installation instructions.

Saf-T Liner has been tested and listed using all the supports, sections, etc., described herein. Deletion or modification of any of the required parts or materials may seriously impair the safety of your installation, and void the conditions of certification and or the manufacturers warranty.

Keep these instructions in a safe place for future reference.



LISTED

- Stainless Steel 304 or 316
- Continuous Laser Welded Seams
- Straight Male and Female Ends
- Tested & Listed to UL 1777

⚠ WARNING

Failure to follow the installation instructions could cause FIRE, CARBON MONOXIDE POISONING, OR DEATH. If you are unsure of installation requirements, call the phone number listed on the instructions, 1.800.433.6341 or visit www.selkirkcorp.com.

heatfab.

5030 Corporate Exchange Blvd
Grand Rapids, MI 49512
Call 800-433-6341
www.heatfab.com

PRODUCT INFORMATION

Model Saf-T Liner system is intended for use in conjunction with any residential building, heating appliance burning gas, liquid or solid fuels, such as a woodstove, fireplace insert, or an oil or gas fired central heating furnace, vented through masonry chimneys only. These heating appliances may not exceed the maximum continuous flue-gas outlet temperatures of 1000°F or cause condensation of corrosive acids on the liner, or create positive pressures in the chimney system. Saf-T Liner is not intended for Category II, III or IV burning appliances. See Table 1 for Technical Specifications.

Saf-T Liner is listed to UL 1777 and is a high quality stainless steel lining system designed for relining existing masonry chimneys. It satisfies code requirements as a substitute for 5/8" fireclay liners and has undergone extensive testing to make it the leader in the stainless steel chimney lining industry. The installation of Saf-T Liner should be performed by an experienced professional who works with chimney and woodstove related products on a regular basis.

Saf-T Liner is intended for use in accordance with the following National Fire Protection Association Standards, 211, 54 and 31.

Table 1 TECHNICAL SPECIFICATIONS	
<p>Materials: .024 304 Stainless Steel .024" 316L Stainless Steel</p> <p>Tested and Listed to: UL 1777</p> <p>Maximum Operating Temperature: 1000°F</p> <p>Usage: Connector Pipe and Masonry Chimney Liner System suited for use with solid fuel and older oil or gas fired equipment that does not produce condensation in the vent.</p> <p>Seams: Continuous-Resistance Welded Seams</p>	<p>Includes: 1/8" Stainless Steel Blind Rivets (4 per lengths/components)</p> <p>Installed Length: Minus 2" for the overlap</p> <p>Diameters: 4" to 12"</p> <p>Maximum Height: 80 Feet</p> <p>Used with: Saf-T Wrap - 8 lb. density ceramic fiber insulation adhered to a .024" aluminum jacket</p>

ASSEMBLY MATERIALS REQUIRED:

The following tools and supplies may be needed to complete the installation of the Saf-T Liner.

- Safety Work Gloves
- Eye Protection
- Dust Respirator (3M 9900, 3M8710 or equiv.)
- Ladder(s)/Scaffolding
- Shop Vac
- Drop Cloth
- 1/8" or #30 High Speed Drill Bit
- Masonry Drill Bits 3/8" or 1/2"
- Measuring Tape
- Utility Knife
- Screwdriver w/ Hex Head
- Hammer
- Pliers
- Cold Chisel
- Caulking Gun
- Silicone Caulk/High Temperature
- Bag of Mortar Mix
- Trowel
- Mortar Pan
- Metal Foil Duct Tape
- Rope (10 feet longer than chimney including a wire hook at one end)
- Chimney Brushes and Rods
- Extension Cords / Work Light
- Reversible Electric or Cordless Drill
- Hacksaw/Reciprocating Saw & Blades
- Small Adjustable Wrench/Ratchet Set
- Awl/Chalk/Felt Tipped Markers
- Tin Snips/Side Cutter/Shears
- Metal Folder
- Pop Rivet Gun for 1/8" Rivets
- Extra Pop Rivets

GENERAL INFORMATION

Ensure your installation will conform with all federal and municipal building code requirements. Before commencing your installation, contact your local building or fire officials about restrictions and installation in your area. Obtain any necessary building permits. If you choose to have your liner professionally installed, have it installed by professionals who are certified by N.F.I. or CSIA.

Authorities require that the masonry chimney extend not less than 3 feet above the highest point where it passes through the roof of a building and not less than 2 feet above any portion of the building within ten feet (see Fig. 1).

Saf-T Liner should not extend more than 6 inches above the masonry chimney. Any additional flue liner height above the masonry chimney will create condensation resulting in the buildup of excessive creosote.

Do not connect more than one solid fuel burning appliance to a single chimney flue and do not connect gas or liquid fired appliances to chimney flues serving a solid fuel burning appliance.

The size of the liner selected should be the same size of the appliance flue outlet opening or as specified in the appliance manufacturer's instructions. Correct sizing is critical for venting of low temperature flue products in geographical areas experiencing sustained low ambient temperatures. Improper sizing may lead to excessive condensation of moisture, creosote buildup and poor draft. A certified technician may alter the size of the liner to suit the appliance within codes perimeters. Consult the appliance manufacturer for guidance.

The minimum allowable liner height is 8 feet with a maximum of 80 feet.

Do not fill the air space between the liner and chimney with loose fill insulation or cement. Saf-T Wrap is the approved insulation wrap to use with Saf-T Liner. Saf-T Wrap is an 8 lb. density insulation. The Saf-T Wrap is used to reduce the clearance to combustible construction outside of the masonry chimney. The clearance between the masonry chimney and combustible materials is dependent on the installation configuration as shown in Table 2 and Figure 2. Saf-T Wrap is available for tee sections and in 24" lengths. Saf-T Wrap must cover the Saf-T Liner from the appliance tee or the top of the smoke chamber area to within 8" but not closer than 3" of the top of the masonry chimney. See note next page.

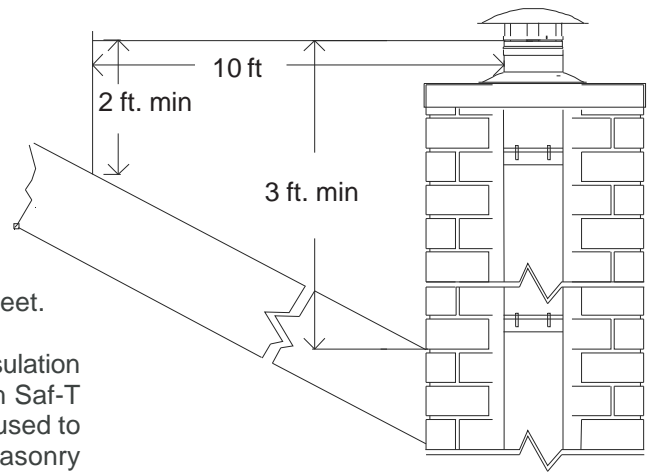


FIG.1

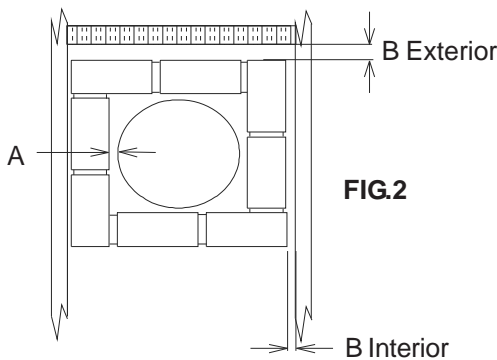


FIG.2

Type of Installation	Saf-T Liner in interior of Masonry Chimney	Clearance Between Masonry Chimney Exterior and Combustibles (as per NFPA 211)	
	Clearance 'A'	Interior Installation 'B'	Exterior Installation 'B'
Saf-T Liner	0"	2"	1"
Saf-T Liner with Saf-T Wrap	0"	1"	0"

Please note: While Saf-T Wrap is not required for every application, it is highly recommended. The performance of the heating system is greatly enhanced when adding Saf-T Wrap. An insulated system helps to improve draft, minimize condensation and flue surfaces warm up quickly. This added feature is important for exterior chimneys.

A new masonry chimney must comply with the National Building Code and NFPA 211.

The safe operation of a venting system depends on the proper installation and use of all materials and components supplied and proper use and operation of the connected heating equipment. Liner and component arrangements depend on the size and configuration of the chimney structure and the type, number and location of the appliances that are to be vented into the chimney.

Do not connect more than one solid fuel burning appliance to a single chimney flue and do not connect gas or liquid fired appliances to chimney flues serving a solid fuel burning appliance.

SAFETY

Caution must be used when working on a roof. The pitch of the roof and type of shingles must be considered before you set up for your installation. Insure the safety of all workers at all times. Proper and safe scaffolding should be used for a safe installation. Check with local safety codes if safety equipment is required.

Always inspect work site. Check overhead for power lines, antennas, brick chimney or other obstacles. Secure ladders to the building or to the chimney if safe to do so before installing the liner.

Always wear eye protection and heavy gloves throughout installation. Wear eye protection and dust respirator whenever in contact with creosote, soot, mortar or insulation.

Before the installation of the liner, have the masonry chimney cleaned by a certified chimney sweep. All tar glazed creosote and soot deposited on the internal chimney walls and smoke chamber of the fireplace must be removed. Failure to thoroughly clean the chimney before installing the new liner may lead to fire and or smoke damage to the home.

CHIMNEY PREPARATION

Since chimneys are usually very sooty and dusty, it is advisable to remove or cover the furniture, rugs, etc. for the duration of the cleaning and installation of the liner.

These instructions are written on the assumption that the existing masonry chimney is structurally sound in construction and free from all loose and potentially flammable debris.

If you find any cracked, loose or missing bricks or tiles, have them repaired or replaced. Any obstructions restricting the installation of Saf-T Liner must be removed - provided it does not affect the structural soundness of the masonry chimney.

The air space clearances between the masonry chimney exterior and combustible materials must be checked to verify the chimney is in accordance with applicable building code requirements (see Table 1 and Fig. 2).

DETERMINING THE LINER DIAMETER

The Saf-T Liner must be properly sized for your heating appliance. The diameter of the Saf-T Liner for a single appliance shall not be less than the diameter of the appliance flue collar or that specified in the appliance manufacturer's instructions.

Measure the dimension of the chimney opening at its smallest point (Fig. 3). Take the smaller of the two measurements (A & B) and deduct 2" to arrive at the maximum diameter of the Saf-T Liner that may be installed.

Saf-T Liner may be installed in any masonry chimney with an inside dimension greater than 7" x 7" and constructed of 4" thick nominal solid or cored, brick or masonry.

When using Saf-T Liner to vent a masonry fireplace, the cross section opening of the flue (Area A) shall not be less than 1/10th of the face area of the fireplace opening (Area B), to insure proper draft (see Fig. 4).

DETERMINING TOTAL LENGTH OF SAF-T LINER

SIDE VENTING INTO EXISTING MASONRY CHIMNEY:

Measure the length of the chimney flue to determine the length of liner needed by utilizing a tape measure. From this length subtract 14" for each tee required.

It is recommended that Saf-T Liner be installed with an accessible clean-out tee that will facilitate easy cleaning and maintenance of the chimney system.

One tee will be required for the appliance, as well as a tee at the base of the Saf-T Liner as a clean-out. Determine the distance between these two tees and then the distance above the appliance tee to the top of the chimney. See Fig. 5.

The liner assembly will be supported by the tee take-offs and the clean-out tee resting on non-combustible material. Provide access to the Cleanout Tee. See Fig. 6.

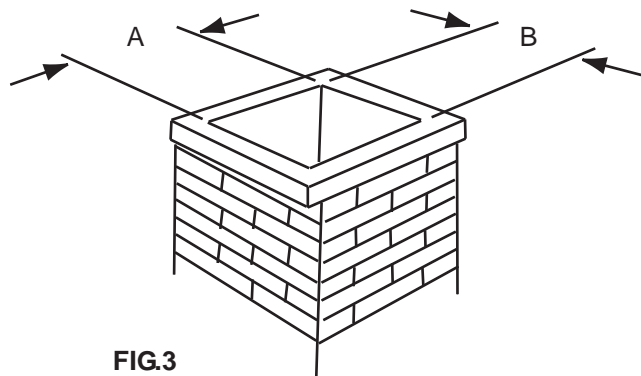


FIG.3

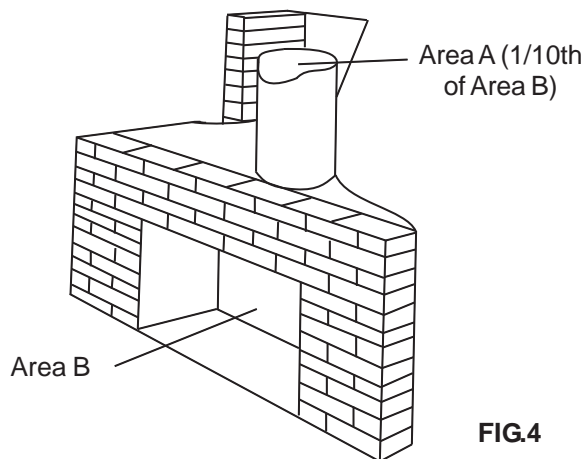


FIG.4

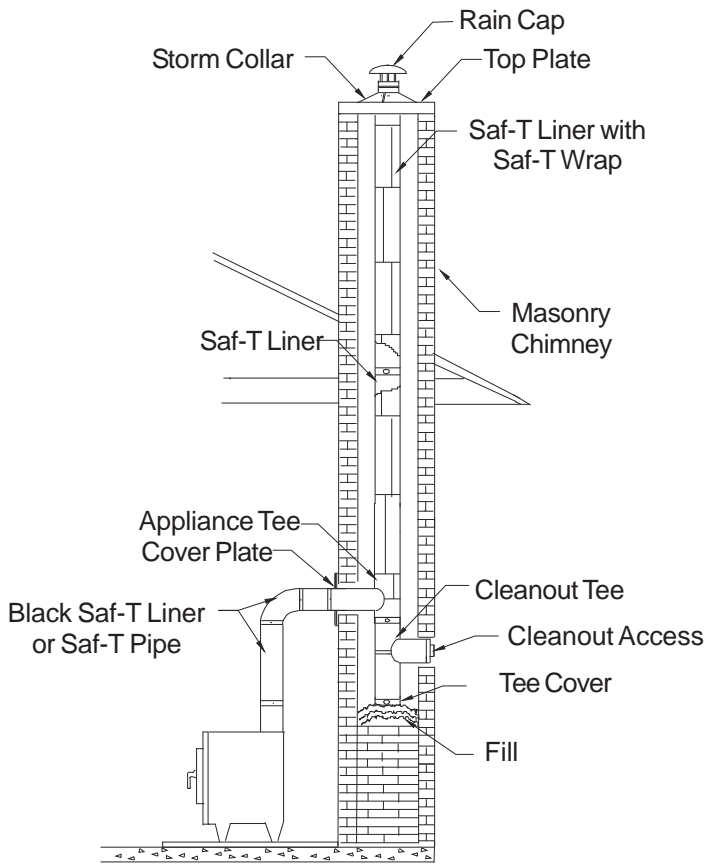


FIG.5

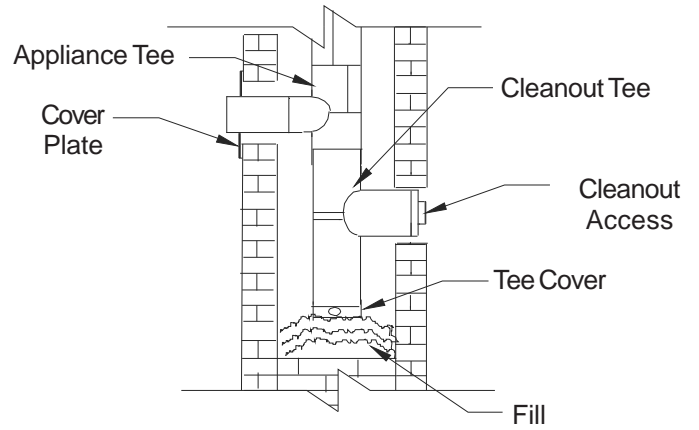


FIG.6

HEARTH/FIREPLACE INSERT STOVE:

If installing a hearth or fireplace insert stove using an existing masonry fireplace chimney, the length of rigid Saf-T Liner required will be the distance from the chimney top to the top of the smoke chamber. Listed stainless steel chimney liner components, an engineered Direct Connect Assembly or any other method approved by the local building authority will be required to pass through the smoke chamber/damper area to the appliance flue collar. The liner assembly will be supported from the top of the chimney. The installer must verify that there is at least 1 inch clearance to combustibles outside a 3" nominal layer of masonry as well as 1 inch clearance from the masonry to the connector inside the smoke chamber area for the entire length within the smoke chamber area. Refer to Table 2..

FIREPLACE:

When lining an open fireplace, the total liner length will be the distance from the top of the smoke chamber to the top of the masonry chimney. This liner assembly will be supported from the top of the masonry chimney. The liner may also be extended to the damper area if the smoke chamber area is in poor condition. The installer must verify that there is at least 1 inch clearance to combustibles outside of a 3" nominal layer of masonry to insure safe operation of the fireplace. **Refer to Table 2.**

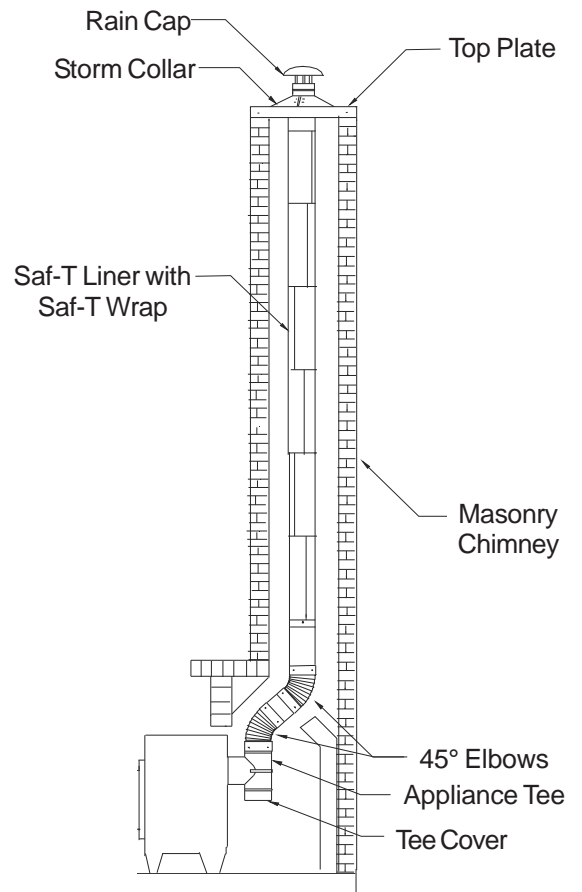


FIG.7

SAF-T LINER COMPONENTS:

A variety of components are available to suit most installations such as Lengths, Adjustable Lengths, Elbows, Tees, Increases, Reducers, Top Plates, Support Clamp, Cover Plate, Rain Cap and Saf-T Wrap.

- Plan the installation of your appliance and Saf-T Liner in such a way that your connector run is as short and straight as possible.

- Having an installation with too long and / or with multiple bends, can reduce system draft which can affect the operation, and / or performance of your appliance and / or chimney system. Choose the proper diameter of connector pipe. It must be at least equivalent to the stove outlet diameter.

- All joints between sections of Saf-T Liner must be secured with four (4) stainless steel pop rivets per joint (supplied).

- Saf-T Liner must be installed with the pilot holes in the up position, smallest diameter end in the direction of the appliance, arranged so condensate will drain within the connector pipe and into the appliance or into the Tee.

- Saf-T Liner used as a connector pipe must be sloped upward towards the chimney at least 1/4 inch per foot of horizontal run.

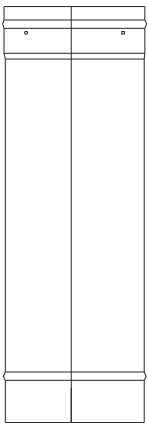


FIG.8

FIXED LENGTHS:

Saf-T Liner is available in 12", 18", 24", 36" and 48" fixed Lengths. To determine the length and number of liner sections required complete the following: Calculate the number of fixed and/or telescoping lengths required to line the chimney and extend not more than 6" above the termination of the masonry chimney (Remember each fixed length's measurement must be reduced by 2" to account for overlap of each section). See Fig. 8.

TELESCOPING LENGTHS:

The telescoping section will adjust from 50" to 90" for required height. NOTE: Two is the maximum number of telescoping lengths which may be installed above the appliance tee. A telescoping section between the appliance and clean out tee will allow for both radial and vertical adjustments during the installation. See Fig. 9.

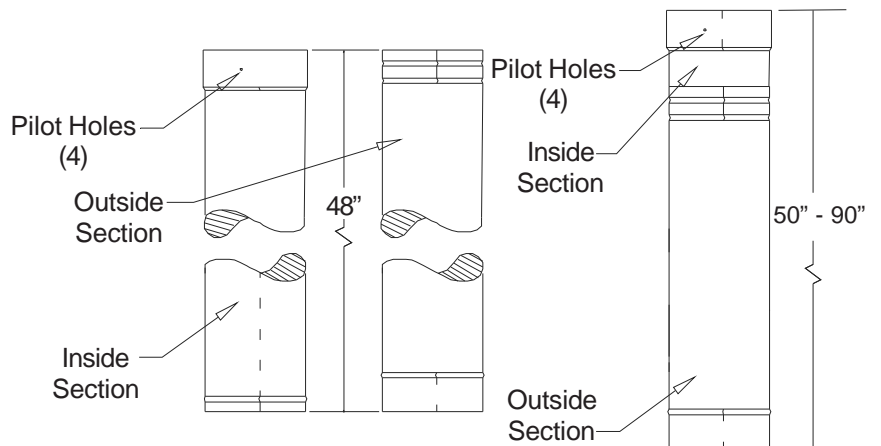


FIG.9

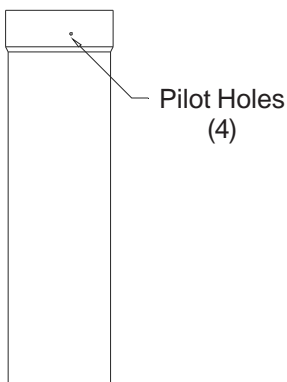


FIG.10

SLIP CONNECTOR:

The Slip Connector provides flexibility in completing a run and may be used to allow expansion and contraction of the system. While the female end will fasten securely to a section, the male end can be easily adjusted to match the required length into another section. The Slip Connector provides from 2" to 14" of usable length (includes joint). See Fig. 10

ELBOWS:

Saf-T Liner fixed Elbows are available in 15°, 30°, 45° and 90°. An Adjustable 90° Elbow is also available. Elbows allow a change in direction in the system, can be used when an offset is needed or to connect to an insert. See Fig. 11.

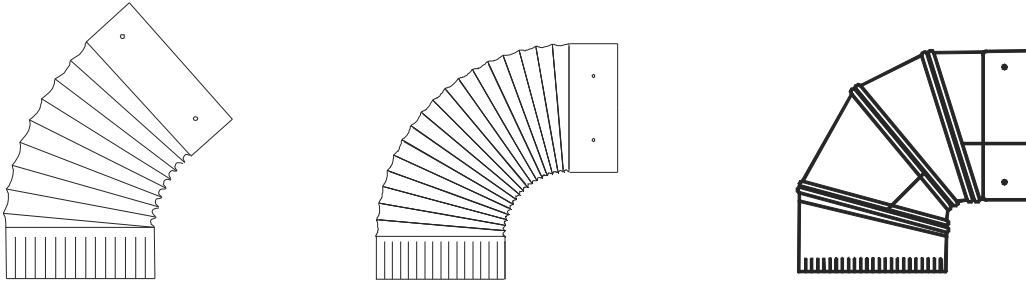
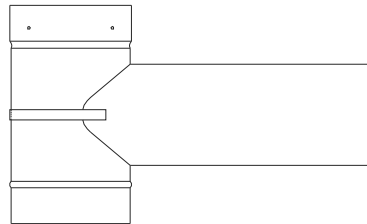


FIG.11

**TEES:**

A variety of Tees are available to suit most installations such as: Appliance Tee, Cleanout Tee, Fixed Tee, Crimped Tee and Tee Caps and Tee Plugs. See Fig. 12

FIG.12

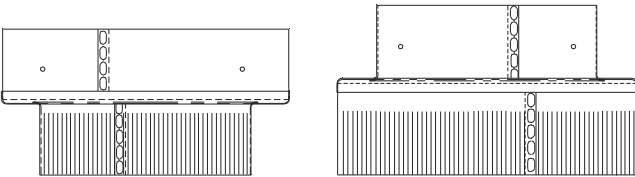


FIG.13

INCREASERS AND REDUCERS:

Saf-T Liner Increasers and Reducers are designed to increase or reduce the size of a Saf-T Liner system to accommodate a range of flue sizes, appliances and installations. NOTE: Increasing or decreasing a chimney size can have a negative impact of chimney performance and safety. Use these components only when appropriate. See Fig. 13

RAIN CAP:

Saf-T Liner Rain Cap is made of stainless steel and required to cap the liner system against precipitation and creates a venturi effect to enhance draft. Secure in position with stainless steel screws providing easy removal for inspection and cleaning. See Fig. 14.

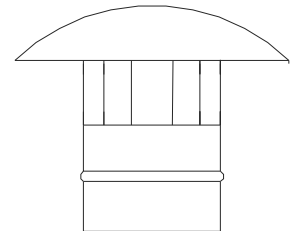


FIG.14

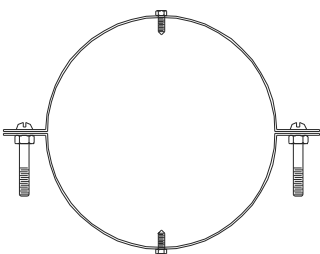


FIG.15

TOP CLAMP:

Saf-T Liner can also be supported from the top of the masonry chimney by using a Top Clamp. See Fig. 15.

TOP PLATE:

Saf-T Liner Top Plates are available in different dimensions such as 13" x 13", 13" x 18" and 18" x 18". A Top Plate is used to seal off the liner system at the top of the masonry chimney and to support the liner in conjunction with the Storm collar. See Fig. 16.

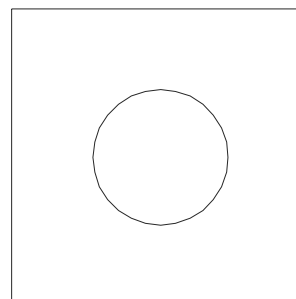


FIG.16

**Topview
and
Frontview**

STORM COLLAR:

A Storm Collar is required at the top of the masonry chimney to support the liner in conjunction with the Top Plate. Install the Storm Collar directly below the expanded portion of the Saf-T Liner section by tightening the clamp screw. The Storm Collar will then rest on the Top Plate. See Figs. 17 and 24.

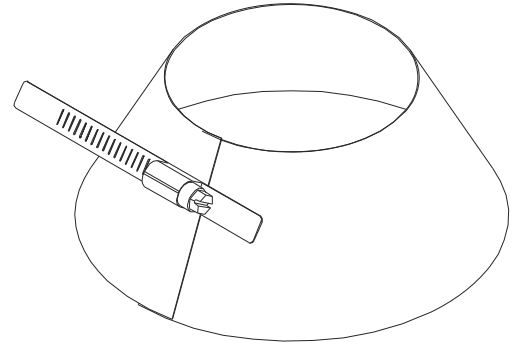


FIG.17



FIG.18

COVER PLATE:

Saf-T Liner black Cover Plate provides a decorative finish to the installation of a side wall masonry chimney. See Fig. 18.

SAF-T WRAP INSULATION:

Saf-T Wrap is available in tee sections and 24" lengths, therefore two lengths will be required for each 4' section of Saf-T Liner. Saf-T Wrap must cover the Saf-T liner from the appliance tee or the top of the smoke chamber area to within 8" but not closer than 4" of the top of the masonry chimney. See Fig. 19 for a topview.

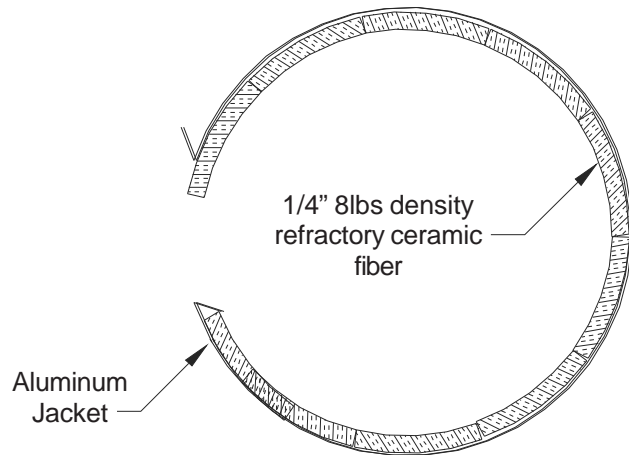


FIG.19

OPENING OF THE CHIMNEY

NOTE: Wear eye protection and dust respirator.

An opening for the liner system will have to be made for any existing masonry chimney without an opening. If there is an opening, it may need to be expanded in order to insert the tee take off into the removable tee or accommodate the support system chosen.

To make the initial opening into the masonry chimney, select a brick that is at the level you want the stove pipe to enter the wall (at least 18" from unprotected combustibles unless a listed wall penetration assembly or other approved method is used). The wall penetration assembly must be above the appliance. Drill a series of holes in the mortar around the perimeter of the brick

Knock the remaining mortar surrounding the brick free with a hammer and cold chisel and remove the brick. Additional bricks are usually easier to remove than the first one. You may need a brick chisel if a half brick needs to stay in place.

CLEAN OUT TEE:

If a cleanout tee is required repeat the above process, being sure to maintain the distance between the two tees as originally planned. Position the two take offs, with the retractable bands fully extended, into the opening in the chimney making sure there is room to tighten the screw on the take off's retractable band.

PRE-ASSEMBLY OF SAF-T LINER PARTS

In order to reduce unnecessary trips up and down the ladder, the liner may be pre-assembled into sections 8' to 10' in length. These can be safely carried up a ladder to the chimney. However, always check overhead for antennae, power lines, or other obstacles before erecting your ladder and installing liner. Preassemble the Saf-T Liner on the ground and check the overall length. REMEMBER - the small end is always facing down and the arrows marked on each liner section are to point up. Using the high speed drill bit, drill through the pilot holes of one section into the crimped end of the next section. Pop rivet the liner into manageable lengths using the four rivets supplied.

MASONRY CHIMNEY:

In the case of a straight chimney liner job, the clean out tee should be riveted to the first liner section and the tee cover attached to the tee. Place either a telescoping section or slip connector and a liner section between the cleanout tee and the appliance tee to allow for expansion and contraction of the system.

HEARTH/FIREPLACE INSERT STOVE:

The appliance connector should be riveted to the first liner section with four opposing pop rivets.

ATTACHING LOWERING ROPE:

The lowering rope should be attached to the first section of Saf-T Liner or the opening in the tee by any one of many methods including, hooks, duct tape or by riveting loops into place on the liner. Use any method that will provide a secure hold on the liner and allow easy removal of the rope after installation. Make sure the rope is on the outside of the liner, so you will be able to add lengths and lower the assembly down the chimney (see Fig. 20). You would then lower the rope and the first assembly until the top is about six inches above the chimney top and secure (tie) the rope off in any convenient secured way. This is so that securing of the next section can be done easily.

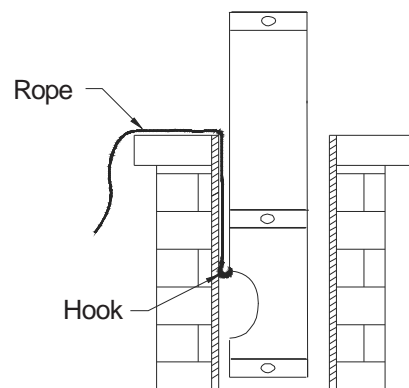


FIG.20

INSTALLING YOUR SAF-T LINER AND SAF-T WRAP INSULATION:

CAUTION must be used when working on a roof. Proper and safe scaffolding should be used for a safe installation of the Saf-T Liner. Always use a respirator and eye protection when using Saf-T Wrap.

MASONRY CHIMNEY:

Carefully lower the first section of liner (see Fig. 20), consisting of cleanout tee body, tee cover and first liner section for between the tees, until the top is about 6" - 12" above the chimney top. Secure the lowering rope to the chimney top to prevent the Saf-T Liner from falling further into the chimney.

Insulate the first section of Saf-T Liner with a 24" section of Saf-T Wrap. Secure the edges of the Saf-T Wrap by closing the snap-lock seam together (Fig. 21-1). Crimp (Fig. 21-2) the top and bottom of the section with pliers (Fig. 21-3) and slide it down to form a continuous enclosure of insulation (Fig.23). Attach the next liner section to the one in the chimney and rivet the two sections together with four opposing rivets.



FIG.21

Close snap-lock and crimp both ends with pliers

Repeat these procedures until the liner section is ready to be guided through the gear hose clamps of the appliance and clean-out tee take offs. Carefully lower the liner system through the appliance take off, then through the clean out take off band until the cut out sections line up.

Secure the take off to the clean out tee by tightening the geared hose clamp (see Fig. 22). Return to the appliance opening and tighten the retractable band in the same fashion.

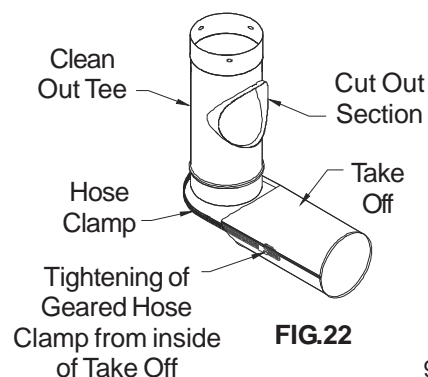


FIG.22

Trim the last section of Saf-T Wrap as required so that it is at least 4" from the cover plate at the top of the masonry chimney. This will allow for expansion of the liner during normal use.

Connect a Saf-T Liner Slip Connector to the take-off of both the appliance tee and the clean-out tee. A Standard tee cover will fit over the Slip Connector for cleaning access.

Close the breechings. The breechings may be closed with either masonry and bricks or blocked with a cover plate. If the appliance breeching is through a combustible wall then it must be closed with masonry and a listed and/or approved wall penetration assembly as per NFPA 211 requirements. The wall penetration assembly must not be located directly behind the appliance.

HEARTHSTOVE AND FIREPLACE INSERT STOVE:

Insulate the first section of Saf-T Liner with a 24" section of Saf-T Wrap by closing the snap-lock seam and crimping with pliers. Slide the Saf-T Wrap down until it abuts the top of the appliance connector.

Attach the next sections of Saf-T Liner and insulate with Saf-T Wrap using the above procedures until the desired height is achieved. See Figure 23.

Trim the last section of Saf-T Wrap as required so that it is at least 4" from the cover plate at the top of the masonry chimney. This will allow for expansion of the liner during normal use.

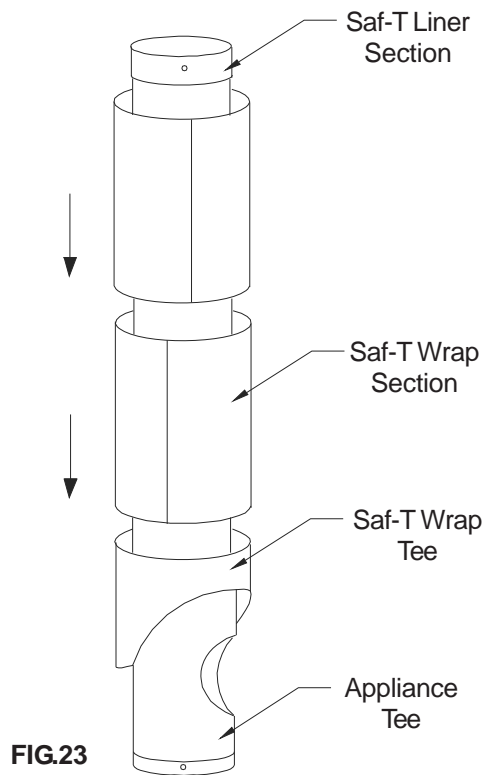


FIG.23

CLOSING THE MASONRY CHIMNEY OPENING:

Non-Fireplace Chimney

Before closing the opening in the masonry chimney, make certain that the Saf-T Wrap is positioned securely around the appliance tee.

Several brick halves and mortar will be needed to close in around the take-off. Rebuild the masonry chimney using brick as square as possible. Fill mortar (or high temperature cement) in tightly around the take-off. Make sure that the starter section fits smoothly into the take-off before the mortar (high temperature cement) cures.

If desired a cover plate may be installed over the opening in lieu of filling with masonry. Attach the cover plate with four tapcon screws or other suitable fasteners.

INSTALLING THE TOP PLATE, RAINCAP AND STORM COLLAR:

Place the Top Plate on the top of the masonry chimney to create a dead air space around the Saf-T Liner system. Trim the Top Plate to 4" larger than the outside of the masonry chimney. Using tin snips, notch each corner 2" on a 45° angle and fold each corner under 90 degrees (see Figure 24). Set the Top Plate over the liner onto a bead of silicone caulk on the masonry chimney top. **Do not attempt to secure the liner with mortar or fasteners directly to the masonry chimney top. There must be room for vertical expansion of the Saf-T Liner due to the heating and cooling process during normal use.**

Install the Storm Collar directly below the expanded portion of the Saf-T Liner section by tightening the clamp screw. The Storm Collar will then rest on the Top Plate, supporting the upper sections of the liner system. Slide the Rain Cap into the female portion of the Saf-T Liner section and secure with the four self-drilling screws provided. (See Figs. 5 and 25).

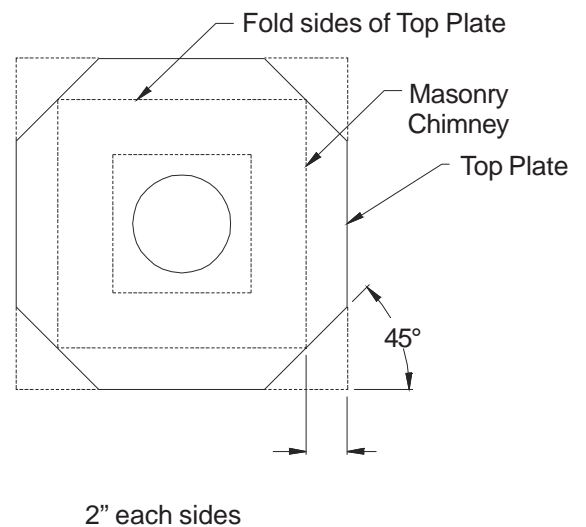


FIG. 24 - Preparing Top Plate

INSTALLING THE APPLIANCE:

Masonry Chimney

The first section of stovepipe will connect to the tee take-off, either through a Saf-T Thimble or other listed and/or approved wall penetration assembly. Any stovepipe connector used which is not open to plain view from the room must be made of stainless steel. The wall penetration assembly must be located above the appliance and may **not be** located directly behind the heating appliance. Note: When a listed or approved wall penetration assembly is **not** used, the single wall connector pipe must be at least 18" from combustible construction material.

Clearances from the solid fuel burning appliances to combustible materials must be strictly adhered to. Follow all local codes and appliance manufacturer's directions (Fig. 26).

Hearth Stove and Fireplace Insert Stove

Install the bottom termination of the liner system and appliance connector to the appliance flue collar (see Fig. 27).

Complete the hearth stove or fireplace insert installation per the manufacturers's instructions and guidelines.

After completing the installation of the appliance it is required that the initial firing precautions of the appliance manufacturer's instructions be strictly followed.

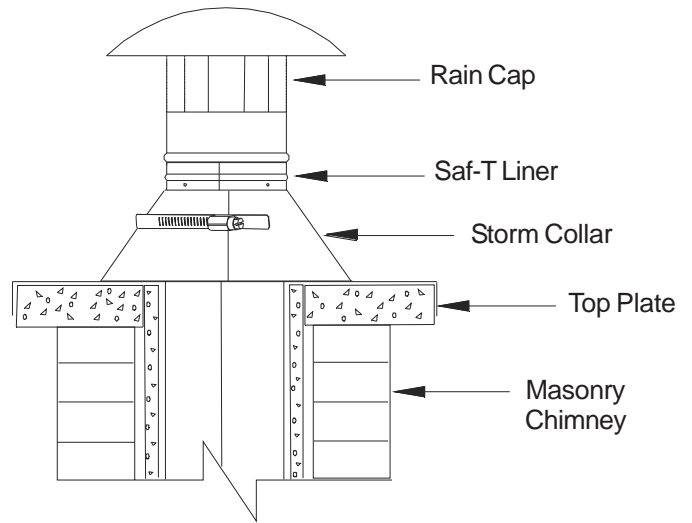


FIG.25 - Preparing Top Plate

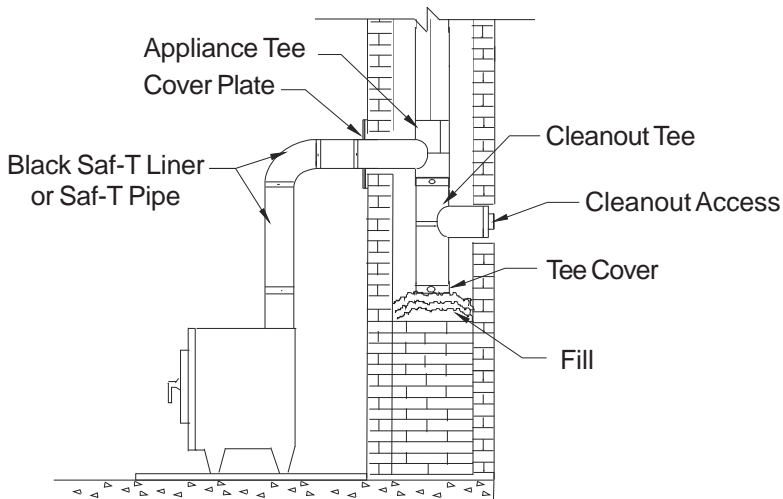


FIG.25

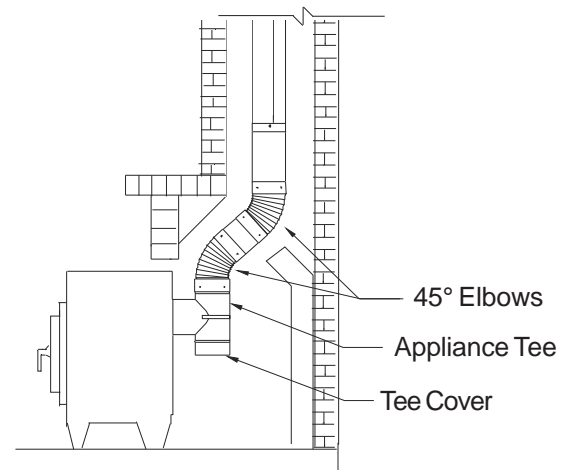


FIG.27

CHIMNEY MAINTENANCE INSTRUCTIONS:

Formation of creosote and soot and the subsequent need for removal occurs when solid fuel is burned slowly, producing tar and other organic vapors, which combine with expelled moisture to form creosote. The creosote vapors condense in the cooler flue of a slow burning fire. As a result, creosote residue accumulates on the flue lining. When ignited, this can result in an extremely hot and possibly damaging chimney fire.

The chimney connector and Saf-T Liner should be inspected frequently during the heating season and cleaned annually (more often if necessary) by a professional, certified chimney sweep.

The chimney should be inspected at least every 6 to 8 weeks during the heating season and once prior to the season to determine if (1) a creosote or soot buildup has occurred or (2) if some other mechanism has caused a failure of the liner system. To inspect and/or clean the chimney, loosen the four Tek screws and remove the rain cap. If creosote or soot has accumulated, have the chimney professionally cleaned to reduce the risk of a chimney fire.

Properly installed and well maintained stovepipes and chimneys can usually withstand an occasional moderate chimney fire, but the intentional setting of a chimney fire to "burnout" the creosote should be avoided. This is a dangerous method to clean a chimney and can cause severe damage to chimneys, liners and possible damage to the structure of the house.

After any chimney fire always have the chimney system inspected by a knowledgeable and certified professional before any further use. The excessive heat during a chimney fire can crack chimney walls, and cause cracking, buckling, distortion and/or burnout in chimney liners. A chimney liner damaged in such a way as to permit leakage of flue gases should be repaired or replaced. Since there is a greater likelihood that a subsequent chimney fire could spread beyond the confines of the damaged flue to the house itself. If no such damage is visible, the chimney system installed per these instructions is suited for further use subject to the inspection schedule outlined above.

Year 1 Maintenance Done by _____ Date _____	Year 2 Maintenance Done by _____ Date _____	Year 3 Maintenance Done by _____ Date _____	Year 4 Maintenance Done by _____ Date _____
Year 5 Maintenance Done by _____ Date _____	Year 6 Maintenance Done by _____ Date _____	Year 7 Maintenance Done by _____ Date _____	Year 8 Maintenance Done by _____ Date _____
Year 9 Maintenance Done by _____ Date _____	HOMEOWNER KEEP FOR YOUR RECORDS		Year 10 Maintenance Done by _____ Date _____
Name _____			
Address _____			
City, State, Zip _____			
Installing Company _____			
Address _____			
Phone () _____			
Date of Installation _____			
Installed by _____			

“SMART CHOICE” LIMITED LIFETIME WARRANTY

Selkirk Corporation, (“Selkirk”, “we”, “us”, “our”) warrants our residential Chimney & Venting products (* defined below) to be free from defects in material and workmanship. For products installed after January 1, 2009, for a period of Ten (10) years from original installation, we will provide replacement product with a similar or like quality of available Selkirk product, **free of charge**, excluding any installation costs. From the Eleventh (11) through Fifteenth (15) years, we will provide replacement product at a cost of 75% off the published Retail Price in effect on the date the claim is received, excluding any installation costs. At expiration of the Fifteen (15) year term, we will provide replacement product at a cost of 50% off the published Retail Price in effect on the date the claim is received excluding any installation costs. This warranty coverage is non-transferable and applies exclusively to the original consumer.

PROFESSIONAL INSTALLATION:

If installation is performed by Professional Installers certified in Canada by WETT or APC or in the USA by NFI or CSIA, we will provide replacement product with a similar or like quality of available product, free of charge (excluding any installation costs) for the full Fifteen (15) years from the date of original installation. To be eligible for this additional warranty the consumer must provide a proof of installation by a Professional Installer when submitting a claim.

LIMITATIONS:

BUYER’S REMEDIES ARE LIMITED TO REPAIR OR REPLACEMENT OF THE PRODUCT AND DO NOT INCLUDE INSTALLATION COSTS. EXCEPT AS SET FORTH HEREIN, ALL OTHER WARRANTIES (EXPRESS OR IMPLIED, INCLUDING THE WARRANTIES OF MERCHANTABILITY AND FITNESS FOR A PARTICULAR PURPOSE) ARE HEREBY DISCLAIMED. IT IS AGREED THAT THIS SHALL BE THE SOLE AND EXCLUSIVE REMEDY OF THE BUYER. IN NO EVENT SHALL WE BE LIABLE FOR ANY CONSEQUENTIAL, SPECIAL OR PUNITIVE DAMAGES ARISING DIRECTLY OR INDIRECTLY FROM THE USE OF THE PRODUCTS WHETHER BASED ON WARRANTY, CONTRACT NEGLIGENCE OR STRICT LIABILITY.

ALL LENGTHS, TEES, ELBOWS, AND COMPONENTS SUPPLIED BY US ARE SUBJECT TO WARRANTY COVERAGE. PRODUCT SUPPLIED BY US AS REPLACEMENT FOR ORIGINAL MATERIAL WILL BE SUBJECT TO A ONE-YEAR WARRANTY COVERAGE.

WARNING: FAILURE TO INSTALL OR OPERATE PRODUCTS ACCORDING TO THE MANUFACTURER’S INSTRUCTIONS, OR FAILURE TO USE PRODUCTS WITH RESIDENTIAL APPLIANCES THAT HAVE BEEN CERTIFIED AT AN ACCREDITED LABORATORY WILL VOID ALL APPLICABLE WARRANTIES.

THIS WARRANTY DOES NOT COVER:

- (a) any non-stainless base tee unit mounted or connected to an Insulated Chimney system;
- (b) costs (labor or otherwise **) associated with either removing a previously installed product, installing a replacement product, transportation or return of a product, or transportation of replacement product;
- (c) damage to the finish of products caused by the use of improper solvents/chemicals or improper (or lack of) cleaning methods;
- (d) damage resulting from normal wear and tear or failure to reasonably clean, care for or maintain products in accordance with our installation instructions/recommendations;
- (e) damage (to products, appliances or structure) based on or resulting from improper installation or repair, misuse or abuse (including, but not limited to, excessive or improper operating condition), or alteration or adjustment other than in conformity with our installation instructions and specifications, whether performed by a contractor, service company, technician, or yourself;
- (f) any products that have been moved from their original installation site;
- (g) damage caused by burning driftwood, garbage, or any other prohibitive material that has been burned in the appliance served by the chimney;
- (h) damage that results from accidents such as fire, flood, high winds, “acts of God”, or any other contingency beyond our control.

** Due to the wide variance in installation practices and other conditions beyond our control, except as stated above, we do not guaranty or in any way warrant the installation of Chimney and Venting products.

CLAIM PROCEDURE: If you believe that a product is defective, notify us in writing at:

SELKIRK CORPORATION
5030 Corporate Exchange Blvd.,
Grand Rapids, MI 49512
ATTN: WARRANTY CLAIMS
1.800.433.6341
www.selkirkcorp.com

SELKIRK CANADA
P. O. Box 526, Depot 1,
Hamilton, Ontario, CANADA, L8L 7X6
ATTN: WARRANTY CLAIMS
1.888.735.5475
www.selkirkcorp.com

Notification should include a description of the product, model and serial number (if applicable) and a description of the product defect. Upon receipt of a written claim under this limited warranty and evidence of the date of purchase or installation, at our option and in our sole discretion, we will provide replacement product with similar or like quality of available product excluding any installation costs. We reserve the right to inspect or investigate any warranty claims prior to determining whether to provide replacement product. If, as determined by us, that repair or replacement of the product is not commercially practicable or cannot be completed in a timely manner, we may refund the prorated purchase price paid for the product upon verification by providing a copy of your invoice or receipt of bill of sale.

*Selkirk products covered under this warranty: AFCL, ALT, BV (SD, MD, LD), DFS, DSP, DT, DWC/SWC, E, FC (JSC), GT, GTL, PL, QC, R, RF, RV, SAF-T LINER, SAF-T PIPE, SC (JM), SFCL, SPR, ST, U1, UPP, UT, UTL, VP, WV.